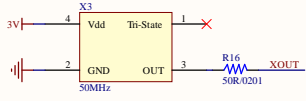
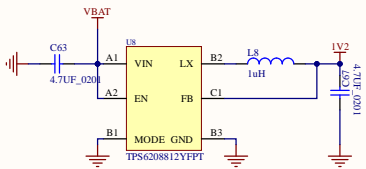


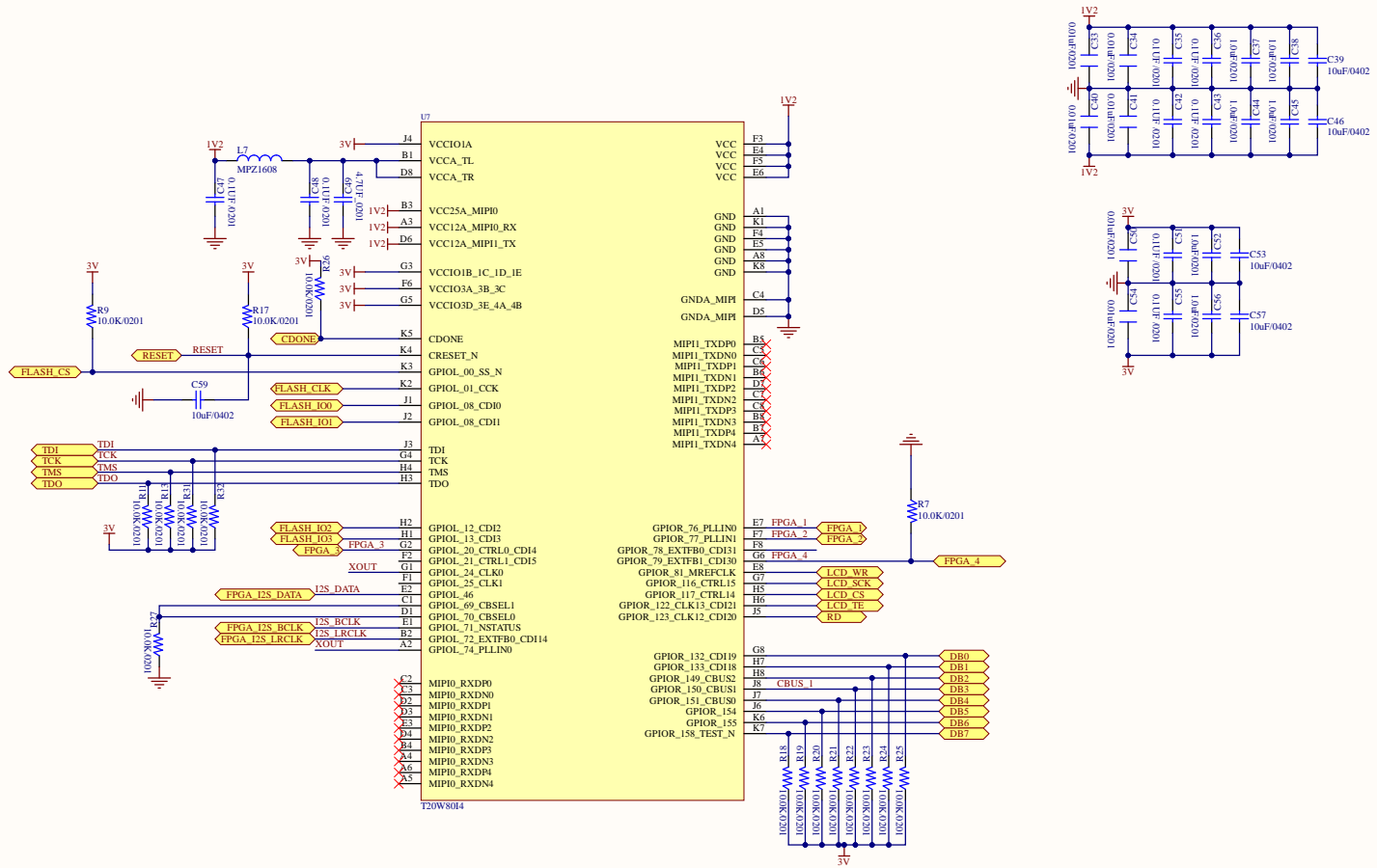
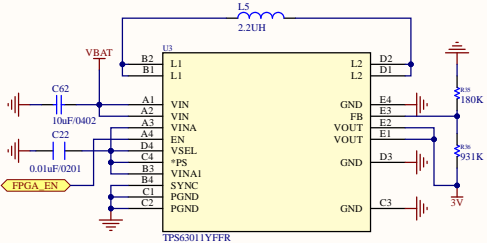
Oscillator



FPGA 1V2



FPGA 3V



Title		
Size	Number	Revision
A		
Date:	11/17/2021	Sheet of
File:	C:\dev\T20 FPGA\SchDoc	Drawn By: